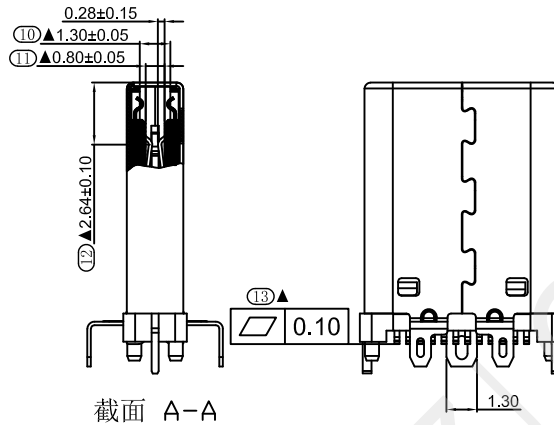
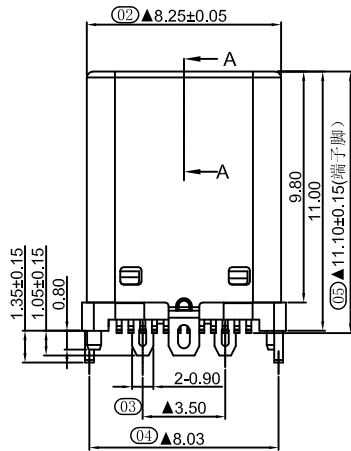


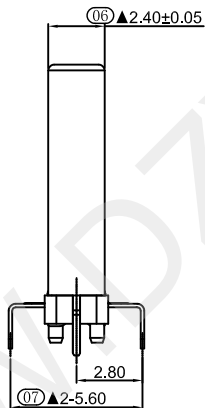
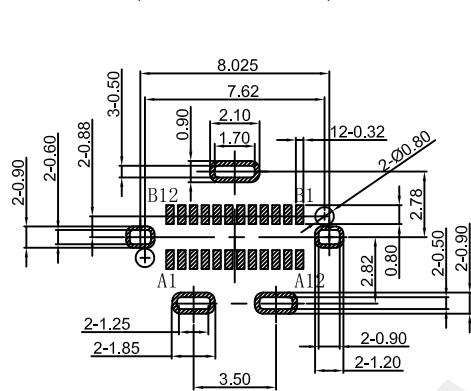
- NOTES:
- CURRENT RATING:
3.0A MAX.
 - DIELECTRIC WITHSTAND VOLTAGE:
100VAC.
 - TEMPERATURE RANGE:
-30 °C ~ 85 °C.
 - CONTACT RESISTANCE:
40 MILLIONHM MAX.
 - INSULATION RESISTANCE:
100 MEGOHMS MIN.
 - INSERTION FORCE :
5N~20N.
 - UNMATING FORCE:
8N~20N.
 - DURABILITY:
10,000 CYCLES.
 - ALL PRODUCTS COMPLY WITH RoHS ENVIRONMENTAL REQUIREMENTS.
 - MARK "▼" AS THE FOCUS, FIRST ITEM INSPECTION.
 - MARK "⊗" TO MEASURE DIMENSIONS FOR FAI.



A1	A2	A3	A4	A5	A6	A7	A8	A9	A10	A11	A12
GND	TX1+	TX1-	VBUS	CC1	D+	D-	SUB1	VBUS	RX2-	RX2+	GND
GND	RX1+	RX1-	VBUS	SUB2	D-	D+	CC2	VBUS	TX1-	TX1+	GND
B12	B11	B10	B9	B8	B7	B6	B5	B4	B3	B2	B1

TABLE:

INSERT MOLD	SHELL	Stainless Steel;T=0.15mm;	Ni:50u"Min
	LATCH	Stainless Steel;T=0.3mm;	Electroplated semi-nickel matte tin;50u"Min;
	EMC SPRING	Stainless Steel;T=0.10mm	-----
	CONTACT	Copper Alloy;T=0.20mm	Ni:50u"Min; Au:CONTACT AREA:1u", Solder AREA:Sn 50-100u"
	PLASTIC	LCP(G.F30%) BLACK.	-----
P/N	PART NAME	MATERIALS	FINISH

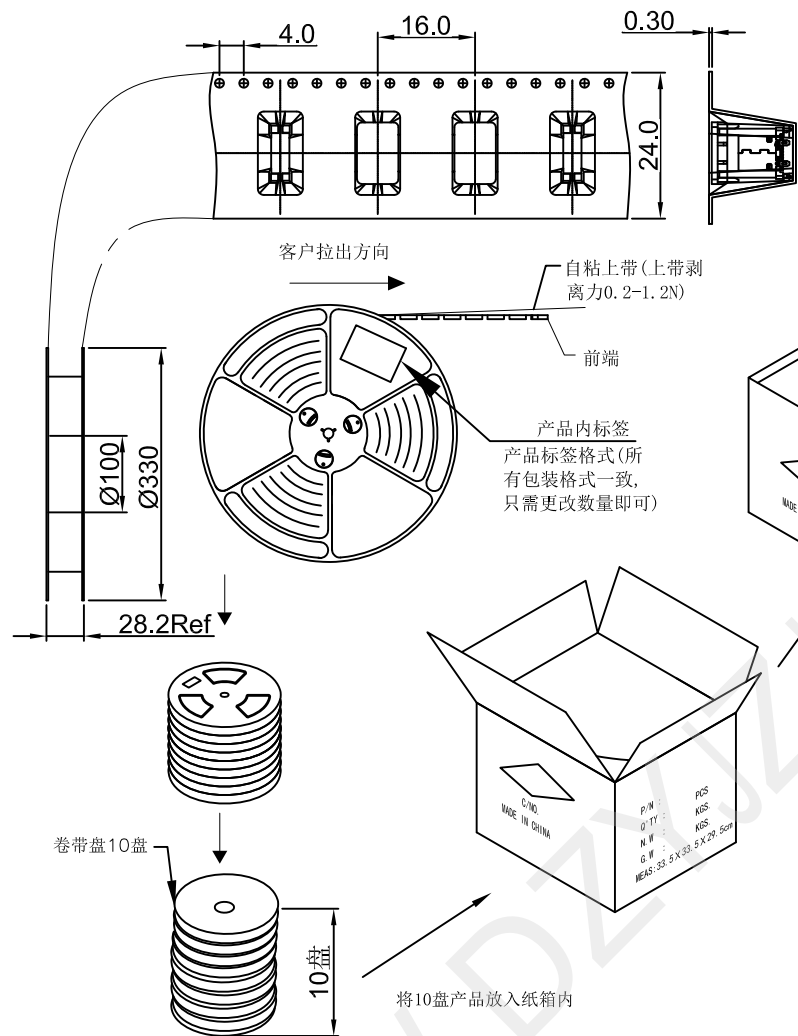


RECOMMENDED PCB LAYOUT
PCB THICKNESS 0.7mm
GENERAL TOLERANCE ±0.05

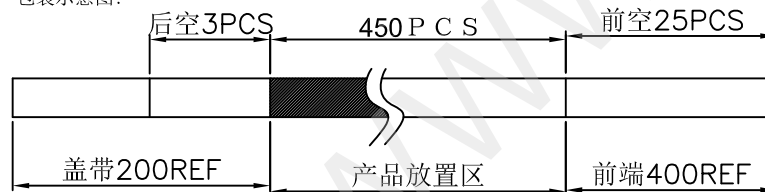


深圳市华宇创精密电子有限公司

TOLERANCE: X.X ±0.30 X.XX ±0.25 X.XXX ±0.15 X: ±2' X.X' ±0.5'	DRAWN BY : 陈一鸣	DATE : 2014-02-23	PART NAME: USB TYPE C 公座24P 立贴11.0H 三支脚
	CHECKED BY: 马跃	DATE : 2014-02-23	PART NO. : HVC664-USBC24-110
UNIT: mm [inch] SCALE:1:1 SIZE: A4	APPROVED BY: 邱敏	DATE : 2014-02-23	DRAW NO. : HVC-2606220956
			SHEET NO. : 1 OF 1



包装示意图:


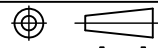


产品外标签

备注:

1. 把上下载带送入载带机进行调整, 然后将产品按照指定的方式摆入下载带中, 开动卷带机进行卷装 (每卷包450PCS), 卷装完成后需用上带缠绕最少20CM;
2. 在卷装OK的每卷盘面的指定位置上贴上物料和RoHS标签装入纸箱内; 每箱装10盘
3. 纸箱用封箱带将其封好, 胶带要求工字型, 不可遮住标签;
4. 如果客户对包装标签另有要求, 请按客户要求作业; 有未满足之零数箱需用缓冲材料填充;
5. 上载带剥离力: 0.2-1.2N;

将10盘产品放入纸箱内

 深圳市华宇创精密电子有限公司			
TOLERANCE: X.X ±0.30 X.XX ±0.25 X.XXX ±0.15 X' ±2' X.X' ±0.5'	DRAWN BY : 陈一鸣	DATE : 2014-02-23	PART NAME: 包装图
	CHECKED BY: 马跃	DATE : 2014-02-23	PART NO.
 UNIT: mm [inch] SCALE: 1:1 SIZE: A4	APPROVED BY: 邱敏	DATE : 2014-02-23	DRAW NO:
			SHEET NO.